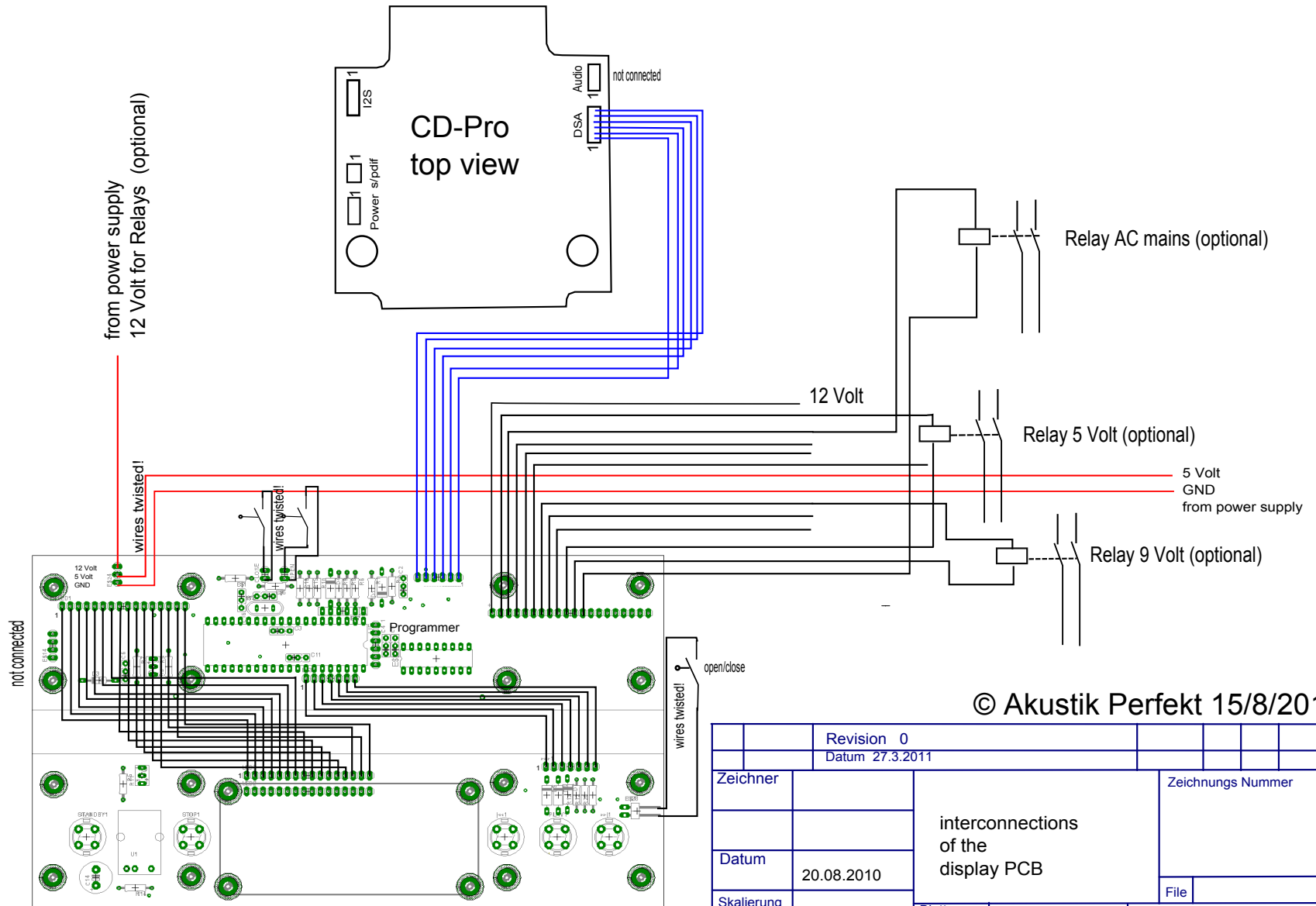


- AC wires
- DC wires
- DSA com
- various connection wires
- signal wires

© For our designs and drafts the copyright remains at us. Every duplication and knowledge gift to third is forbidden. The execution after our requires designs and drafts express our permission.
Akustik Perfekt, August 2009

Brungasse 14
D-53117 Bonn
phone +49 (0) 228 937 97 43C
fax: +49 (0) 3222 / 240 86 25
mobil: +49 (0) 1608420516
E-mail: akuperf@t-online.de
www.akustik-perfekt.de
www.the-audio-collection.de
US: +1 812 1987500 11



© Akustik Perfekt 15/8/2011

Revision 0		Datum 27.3.2011	
Zeichner		Zeichnungs Nummer	
Datum	20.08.2010	interconnections of the display PCB	
Skalierung		Blatt	0.3
		File connect-display.svg	